



online generator monitoring

Founded in 2011 and committed to providing the best possible Energy and Environment monitoring and intelligence technology to our customers.



- ✓ Headquartered in Gurgaon
- ✓ Technology center in Noida



- ✓ 80+ Customers
- ✓ 50+ Employees



- ✓ Energy Intelligence
- ✓ Environment Intelligence



- ✓ 8000+ devices being monitored online.



- ✓ India
- ✓ Africa
- ✓ GCC



- ✓ Handling Terabytes of Data
- ✓ ISO 9001 & ISO 27001
- ✓ Red herring Global Top 100

We create software that makes energy and environment data simple to acquire, understand and act upon.

IMPROVE SUSTAINABILITY

OUR MISSION

Improve sustainability through better energy and environment monitoring and management.

WE NEVER REST

PRODUCT PHILOSOPHY

Just don't work, work to make a difference. We work tirelessly to build great products that make our customers and partners win.

YOU WIN WE WIN

CUSTOMER PHILOSOPHY

Our customers are the purpose of our existence. Help them win so that we can win.

EnergyLogicIQ-Generator: Features & Benefits

Features



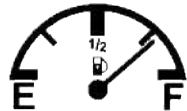
Powerful reporting
& analysis tool



Web & Mobile App
based user interface



Real time alarms
over email & app
push notifications



Fuel Level Monitoring



Monitor all devices
with one platform



Generator On/Off
status

Benefits



Monitor & maintain
Generator efficiency



Reduce downtime &
maintenance costs



Reduce fuel
pilferage & get real
time alerts



Keep an eye on Fuel
Inventory



Leased generator
location monitoring &
theft protection



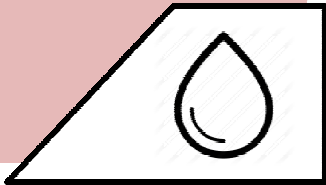
Schedule maintenance by
Generator run hour status

Use cases

Industries & Buildings

- ✓ Fuel & Energy Management
- ✓ Enhanced efficiency & reliability
- ✓ Generator location monitoring & theft protection

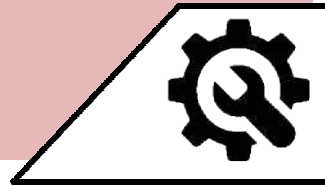
01



Generator OEM's

- ✓ Deliver smarter generators to your customers
- ✓ Create new revenue opportunities in spares, consumables and support
- ✓ Roll out your own generator monitoring solutions within a short period

03



Generator leasing companies

- ✓ Monitor all generators from a central location
- ✓ Monitor all generator location and theft
- ✓ Reduce cost through lesser site visits and work-force

02



EASY INSTALLATION

Plug-n-play (agnostic) devices make the system user friendly and easy to install.

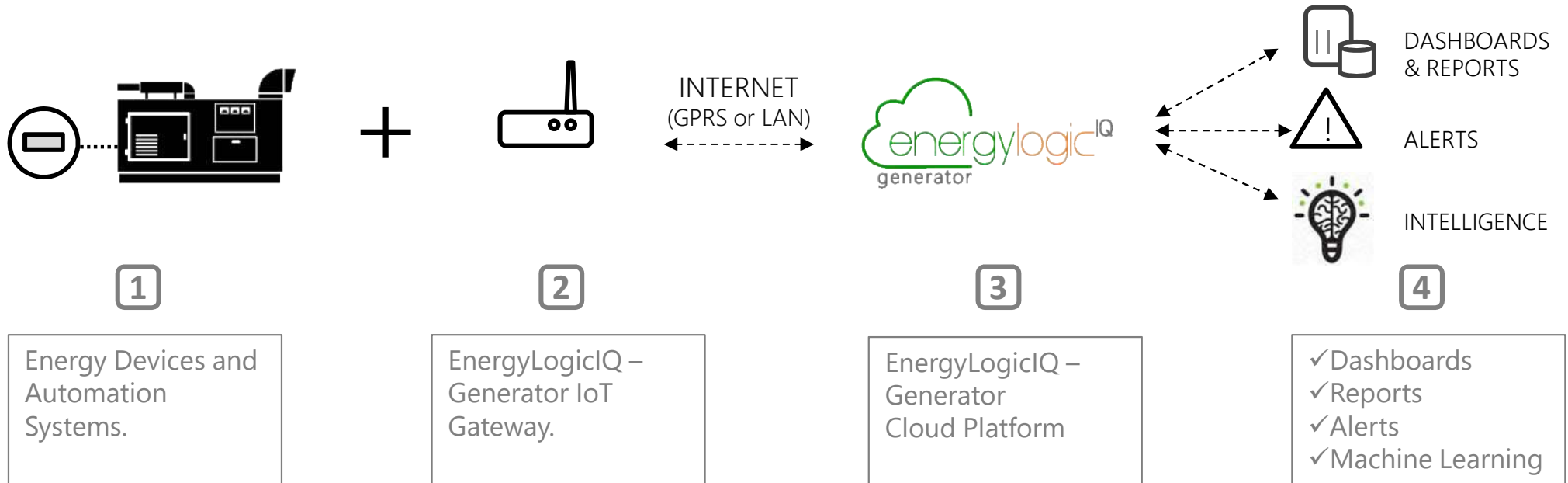
RELIABLE

ISO-9001 certified products with 99.99% accuracy levels, pushing data on our cloud servers makes the system highly reliable.

SECURE

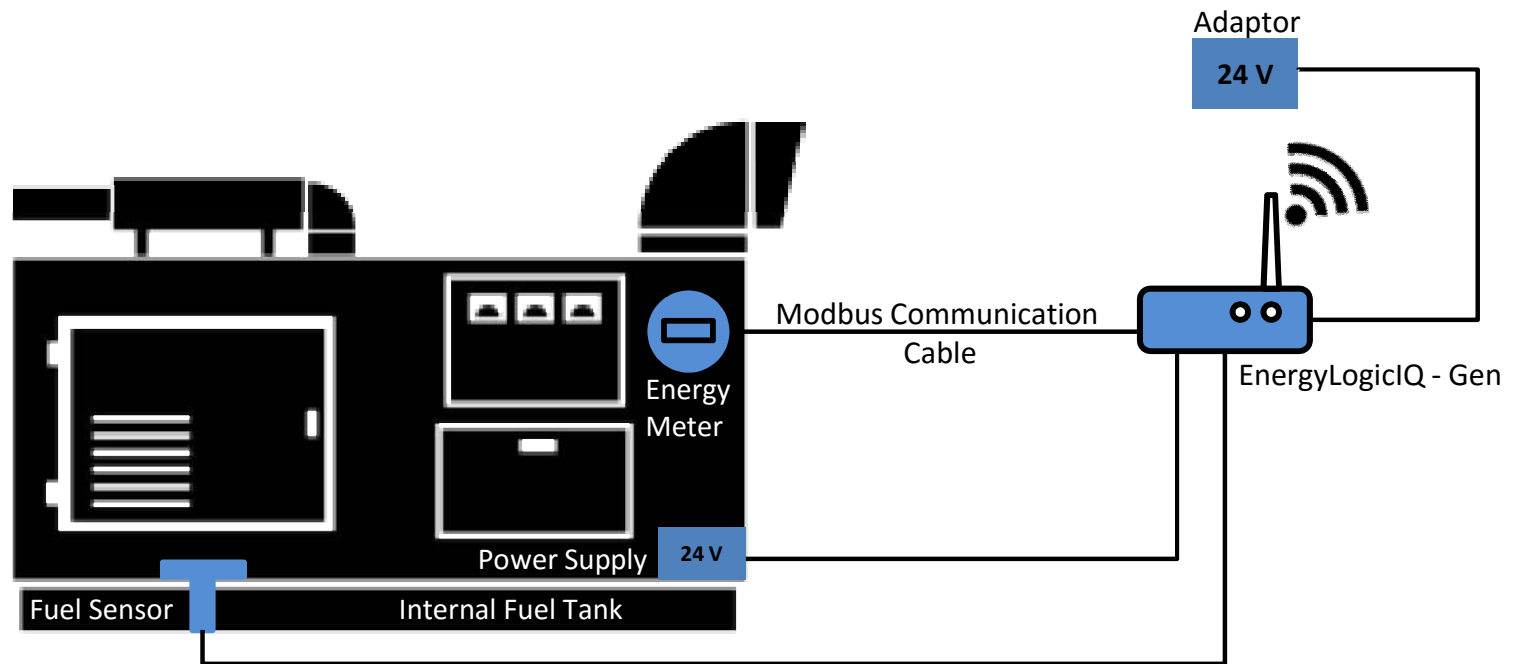
ISO-27001 application security, data encryption, Inbuilt authentication & authorization, and user security logs makes the system highly secure.

How it works?



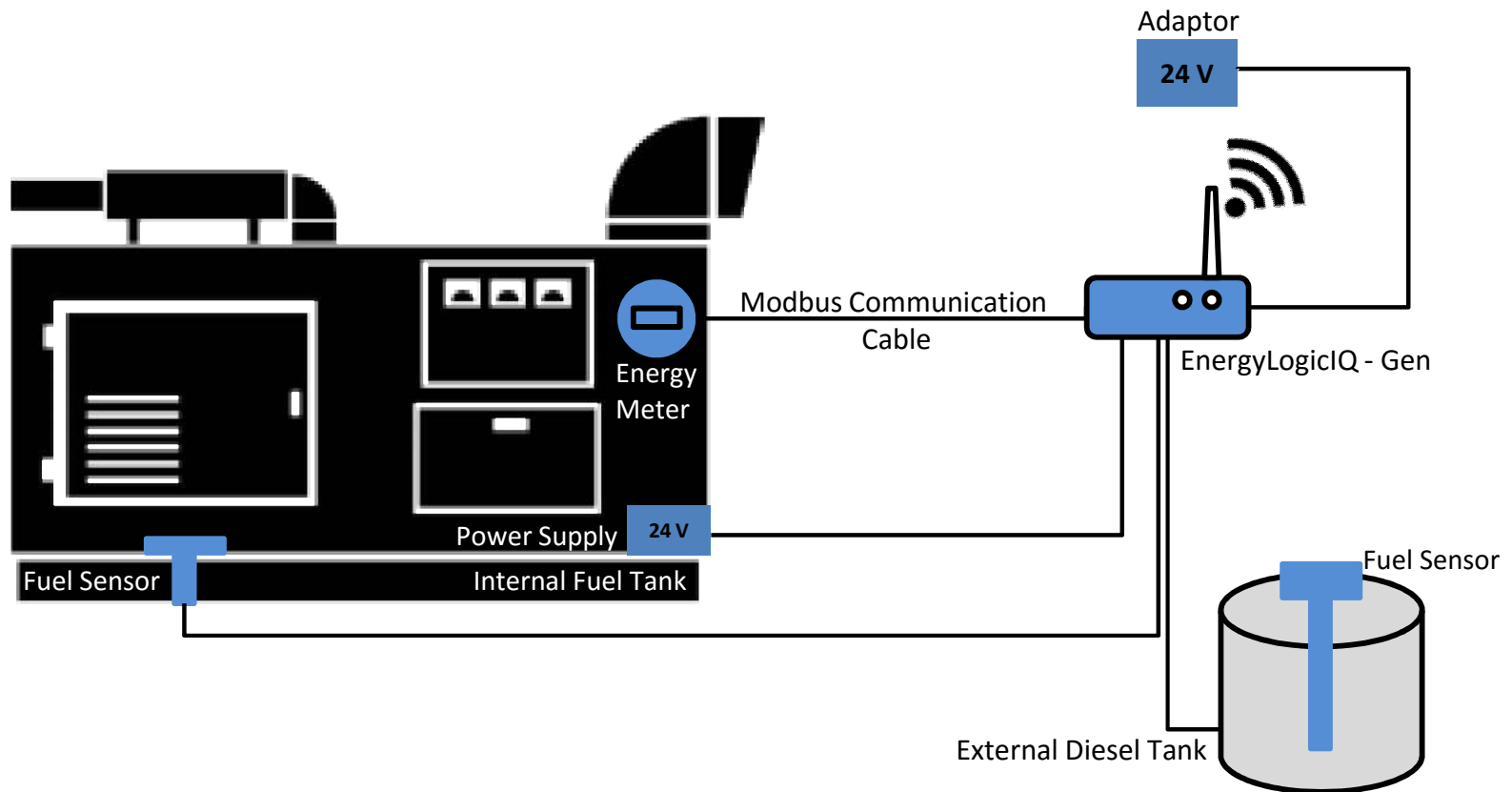
How it works?

Scenario 1 – Internal Fuel Tank (Single Generator)



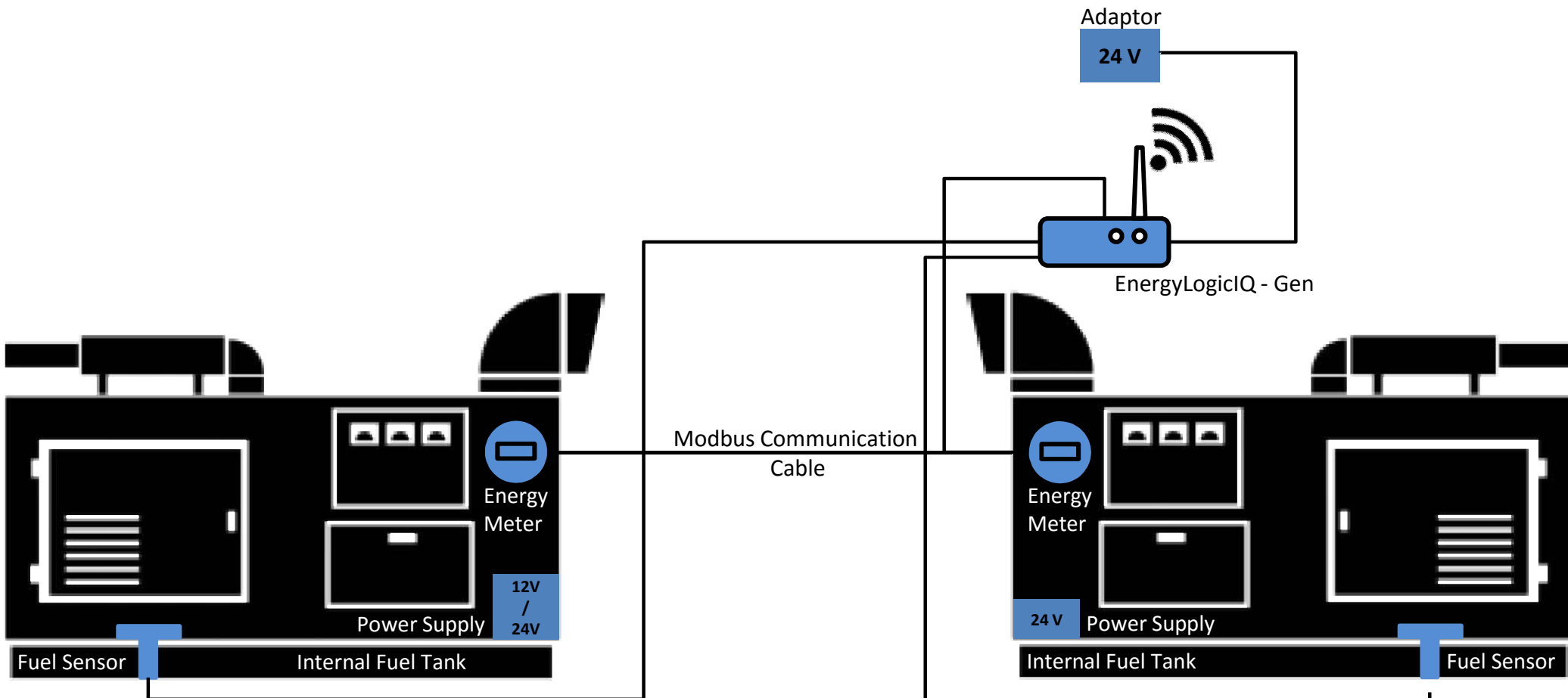
How it works?

Scenario 2 – External Fuel Tank (Single Generator)



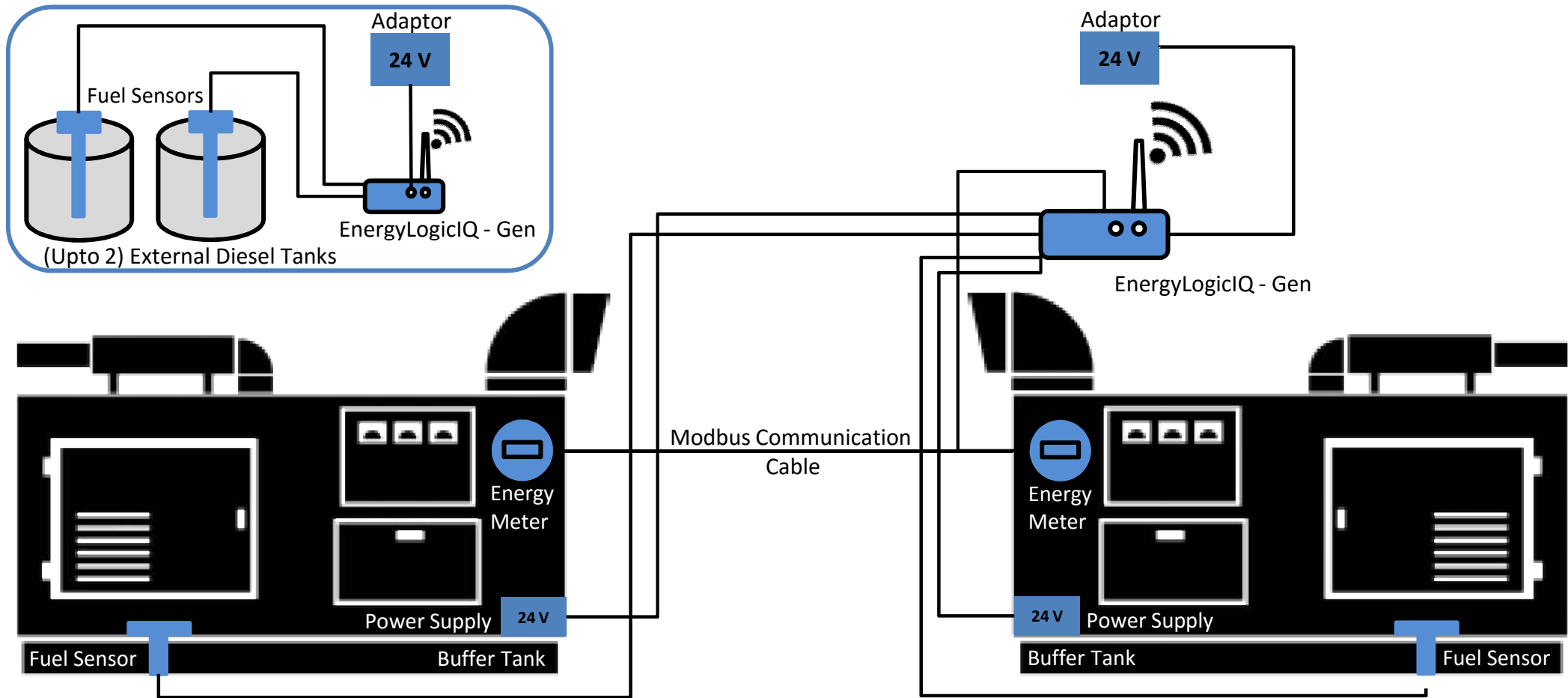
How it works?

Scenario 3 – Internal Fuel Tank (Double Generator)



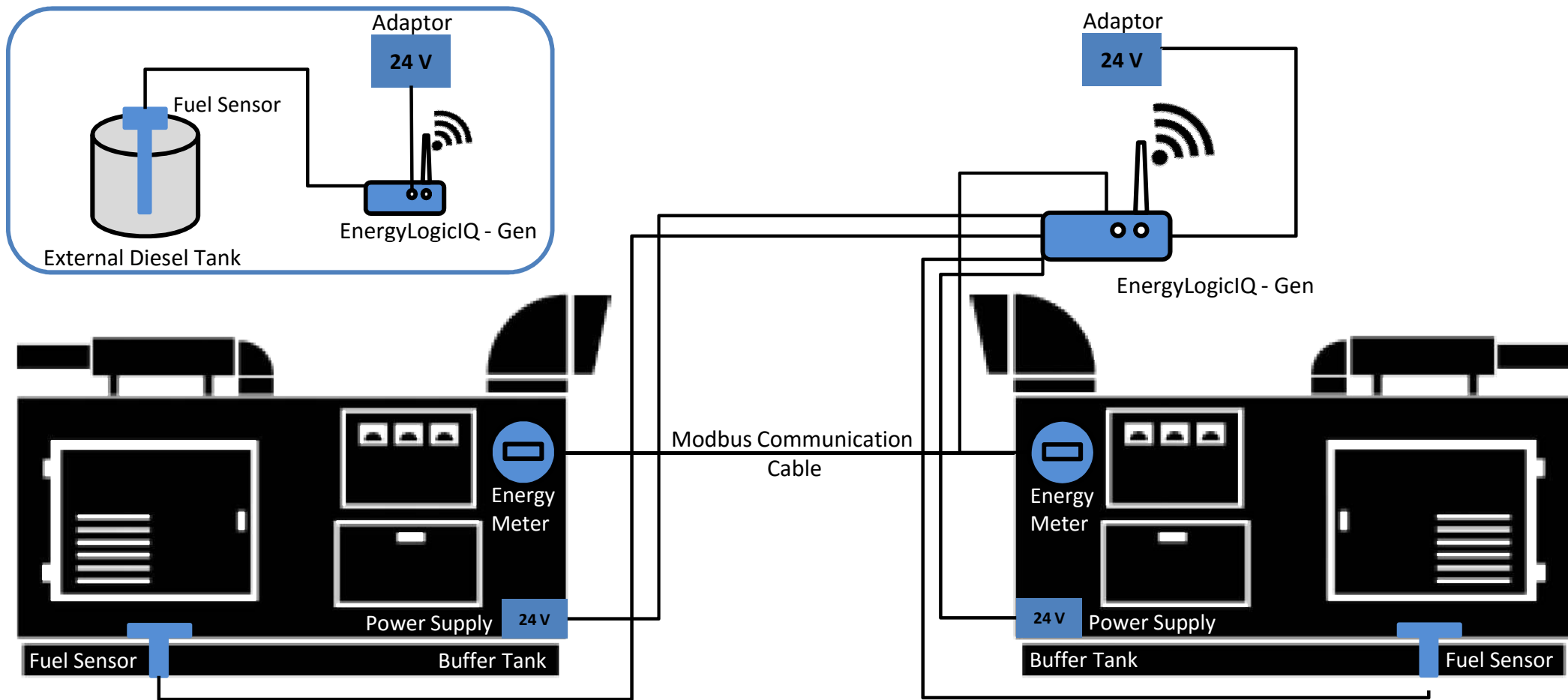
How it works?

Scenario 4 – 2 External Fuel Tanks (Double Generator)



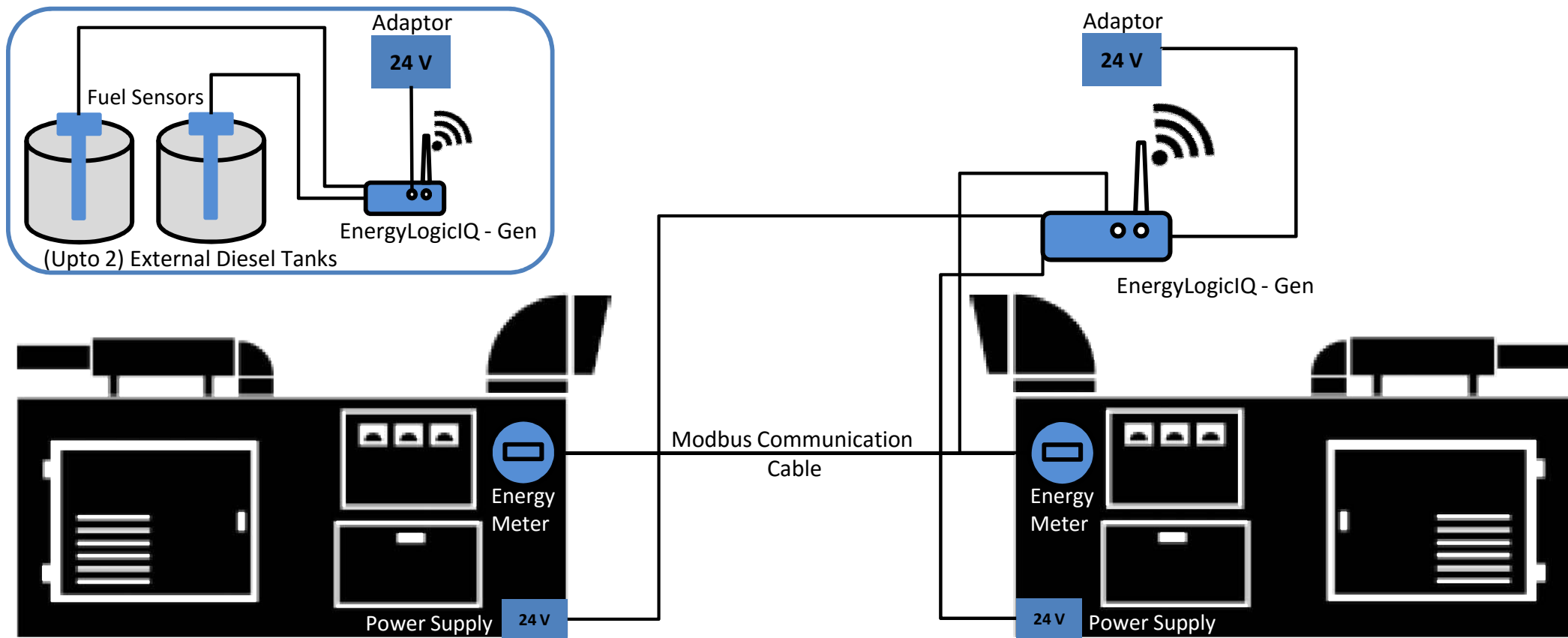
How it works?

Scenario 5 – 1 External Fuel Tank (Double Generator)








How it works?

Scenario 6 – 2 External Fuel Tanks (Double Generator)



Accreditations & Certifications

 <p>JAS-ANZ ISO 9001:2008</p>	 <p>CCL ISO 27001:2013</p>	
 <p>NASSCOM[®] MEMBER</p>	 <p>RED HERRING WINNER 100 GLOBAL</p>	 <p>RED HERRING 100 WINNER ASIA</p>



LogicLadder Technologies Private Limited
204, Unitech Arcadia, Sector 49,
South City II, Gurgaon - 122018
T : +91.11.30051567 | F : +91.11.30051567



THANK YOU

 info@logicladder.com

 [#LogicLadder](https://twitter.com/LogicLadder)